

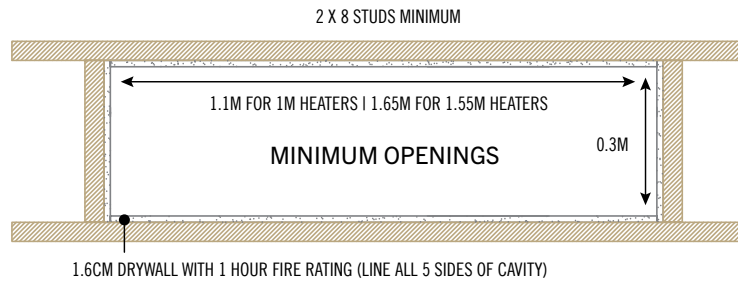
# flush mount your heater in *four simple steps.*

SCAN FOR VIDEO  
INSTRUCTIONS



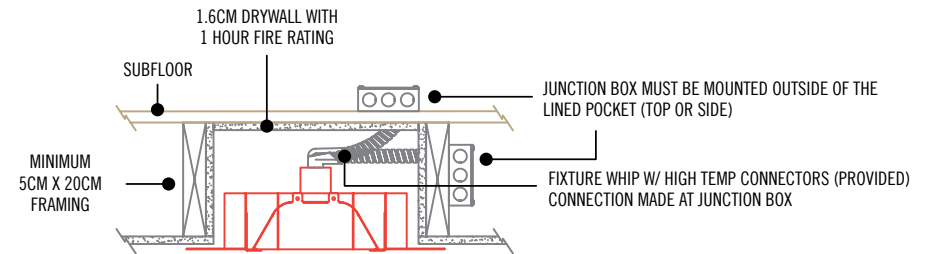
**STEP 1**

Frame the pocket that will house the heater with a one hour-rated fire containment box. Note: Frame and heaters cannot be mounted on a sloped/pitched ceiling.



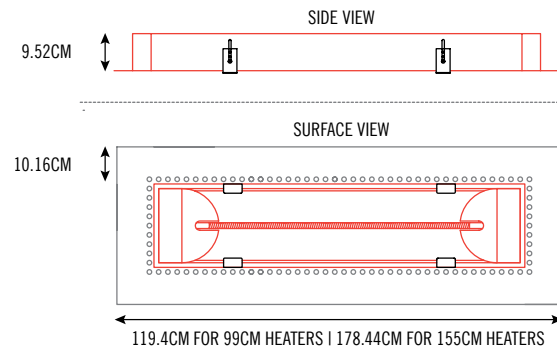
**STEP 2**

The junction box must be mounted outside of the lined pocket. You can choose to mount the junction box in a variety of locations, depending upon where you'll be accessing it.



**STEP 3**

Install the frame into the finished pocket. You may choose to leave all of the trim exposed, or partially cover it with a decorative ceiling (1.27cm clearance is required from ventilation holes).



**STEP 4**

Install the heater (heater must face horizontal to the floor) and adjust the tabs to set the heater flush with finished ceiling.

